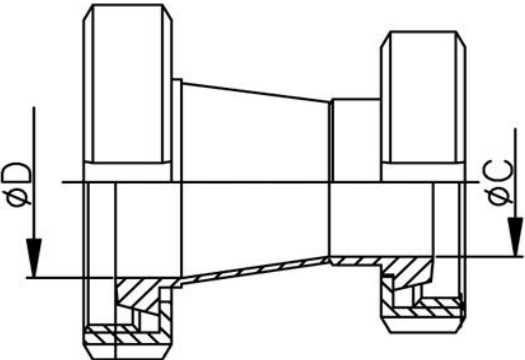


Art.-Nr. 1084941

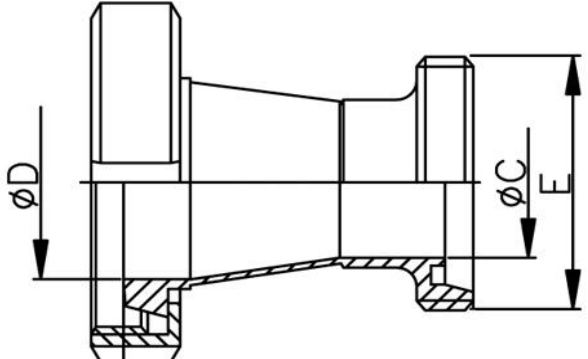
DN	C	D	Koppolverloopstuk (puntstuk wartel - puntstuk wartel) - DIN 11851 Reducer with connection (liner - liner) - DIN 11851
32-25	26	32	
40-25	26	38	
40-32	32	38	
50-32	32	50	
50-40	38	50	
65-40	38	66	
65-50	50	66	
80-50	50	81	
80-65	66	81	
100-65	66	100	
100-80	81	100	

Alle maten in mm - All sizes in mm

Leverbaar in 304/304L (1.4301/1.4307) & 316L (1.4404) - Available in 304/304L (1.4301/1.4307) & 316L (1.4404)

Andere kwaliteiten en afmetingen op aanvraag - Other grades and sizes on request

Art.-Nr. 1084941

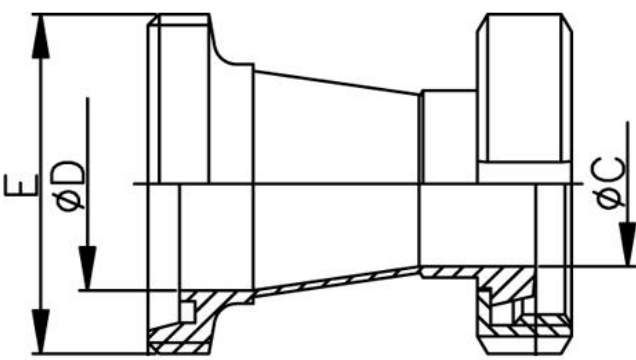
DN	C	D	E	Koppolverloopstuk (puntstuk wartel - draad) - DIN 11851 Reducer with connection (liner - male) - DIN 11851
32-25	26	32	52x1/6"	
40-25	26	38	52x1/6"	
40-32	32	38	58x1/6"	
50-32	32	50	58x1/6"	
50-40	38	50	65x1/6"	
65-40	38	66	65x1/6"	
65-50	50	66	78x1/6"	
80-50	50	81	78x1/6"	
80-65	66	81	95x1/6"	
100-65	66	100	95x1/6"	
100-80	81	100	110x1/4"	

Alle maten in mm - All sizes in mm

Leverbaar in 304/304L (1.4301/1.4307) & 316L (1.4404) - Available in 304/304L (1.4301/1.4307) & 316L (1.4404)

Andere kwaliteiten en afmetingen op aanvraag - Other grades and sizes on request

Art.-Nr. 1084941

DN	C	D	E	Koppolverloopstuk (draad - puntstuk wartel) - DIN 11851 Reducer with connection (male - liner) - DIN 11851
32-25	26	32	58x1/6"	
40-25	26	38	65x1/6"	
40-32	32	38	65x1/6"	
50-32	32	50	78x1/6"	
50-40	38	50	78x1/6"	
65-40	38	66	95x1/6"	
65-50	50	66	95x1/6"	
80-50	50	81	110x1/4"	
80-65	66	81	110x1/4"	
100-65	66	100	130x1/4"	
100-80	81	100	130x1/4"	

Alle maten in mm - All sizes in mm

Leverbaar in 304/304L (1.4301/1.4307) & 316L (1.4404) - Available in 304/304L (1.4301/1.4307) & 316L (1.4404)

Andere kwaliteiten en afmetingen op aanvraag - Other grades and sizes on request

Art.-Nr. 1084941

DN	C	D	E	Koppolverloopstuk (draad - draad) - DIN 11851 Reducer with connection (male - male) - DIN 11851
32-25	26	32	52x1/6"	
40-25	26	38	52x1/6"	
40-32	32	38	58x1/6"	
50-32	32	50	58x1/6"	
50-40	38	50	65x1/6"	
65-40	38	66	65x1/6"	
65-50	50	66	78x1/6"	
80-50	50	81	78x1/6"	
80-65	66	81	95x1/6"	
100-65	66	100	95x1/6"	
100-80	81	100	110x1/4"	

Alle maten in mm - All sizes in mm

Leverbaar in 304/304L (1.4301/1.4307) & 316L (1.4404) - Available in 304/304L (1.4301/1.4307) & 316L (1.4404)

Andere kwaliteiten en afmetingen op aanvraag - Other grades and sizes on request