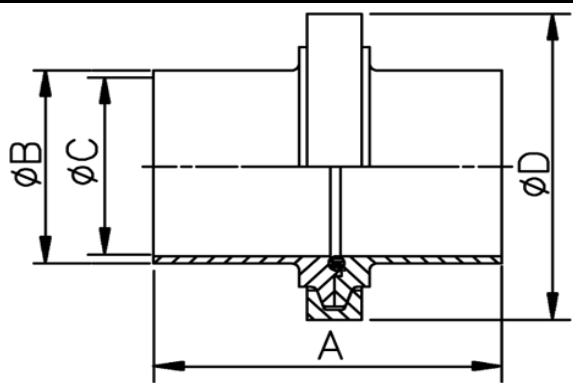


Art.-Nr. 11088

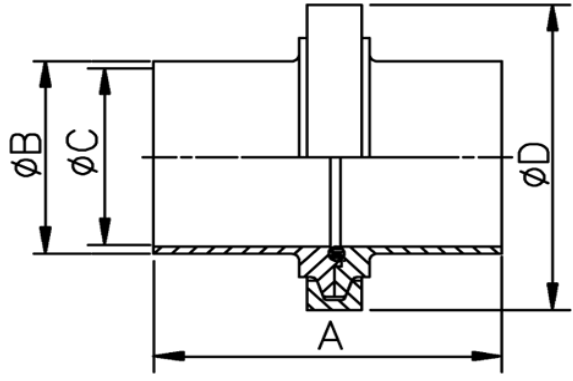
| DN | C | B | D | A | Schroefkoppeling DIN 11864-1 Form A (DIN) Union DIN 11864-1 Form A (DIN) |
|-----|-----|-----|-----|-----|--|
| 10 | 10 | 13 | 38 | 76 |  |
| 15 | 16 | 19 | 44 | 76 | |
| 20 | 20 | 23 | 54 | 76 | |
| 25 | 26 | 29 | 63 | 77 | |
| 32 | 32 | 35 | 70 | 88 | |
| 40 | 38 | 41 | 78 | 88 | |
| 50 | 50 | 53 | 92 | 89 | |
| 65 | 66 | 70 | 112 | 113 | |
| 80 | 81 | 85 | 127 | 117 | |
| 100 | 100 | 104 | 148 | 120 | |

Alle maten in mm - All sizes in mm

Leverbaar in 316L (1.4404) - Available in 316L (1.4404)

DIN 11864 = lange uitvoering - DIN 11853 = korte uitvoering - DIN 11864 = long type - DIN 11853 = short type

Art.-Nr. 11088

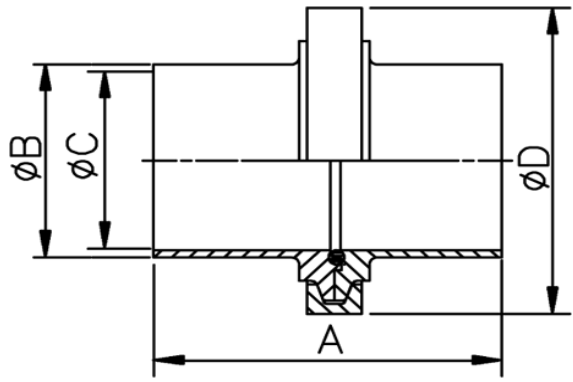
| INCH | C | B | D | A | Schroefkoppeling DIN 11864-1 Form A (INCH) Union DIN 11864-1 Form A (INCH) |
|--------|-------|-------|-----|-----|---|
| 1/2" | 9,4 | 12,7 | 38 | 76 |  |
| 3/4" | 15,75 | 19,05 | 44 | 76 | |
| 1" | 22,1 | 25,4 | 63 | 77 | |
| 1-1/2" | 34,8 | 38,1 | 78 | 88 | |
| 2" | 47,5 | 50,8 | 92 | 89 | |
| 2-1/2" | 60,2 | 63,5 | 112 | 115 | |
| 3" | 72,9 | 76,2 | 127 | 117 | |
| 4" | 97,38 | 101,6 | 148 | 119 | |

Alle maten in mm - All sizes in mm

Leverbaar in 316L (1.4404) - Available in 316L (1.4404)

DIN 11864 = lange uitvoering - DIN 11853 = korte uitvoering - DIN 11864 = long type - DIN 11853 = short type

Art.-Nr. 11088

| DN | C | B | D | A | Schroefkoppeling DIN 11864-1 Form A (ISO) Union DIN 11864-1 Form A (ISO) |
|----|------|------|-----|-----|--|
| 8 | 10,3 | 13,5 | 38 | 76 |  |
| 10 | 14 | 17,2 | 44 | 76 | |
| 15 | 18,1 | 21,3 | 54 | 78 | |
| 20 | 23,7 | 26,9 | 63 | 78 | |
| 25 | 29,7 | 33,7 | 70 | 88 | |
| 32 | 38,4 | 42,4 | 78 | 88 | |
| 40 | 44,3 | 48,3 | 92 | 90 | |
| 50 | 56,3 | 60,3 | 112 | 114 | |
| 65 | 72,1 | 76,1 | 127 | 117 | |
| 80 | 84,3 | 88,9 | 148 | 122 | |

Alle maten in mm - All sizes in mm

Leverbaar in 316L (1.4404) - Available in 316L (1.4404)

DIN 11864 = lange uitvoering - DIN 11853 = korte uitvoering - DIN 11864 = long type - DIN 11853 = short type

Art.-Nr. 11058

| DIN | C | B | A | E | Lasdraadstuk DIN 11864-1 Form A (DIN) Welding male DIN 11864-1 Form A (DIN) |
|-----|-----|-----|----|------------|--|
| 10 | 10 | 13 | 41 | 28 x 1/8" | |
| 15 | 16 | 19 | 41 | 34 x 1/8" | |
| 20 | 20 | 23 | 43 | 44 x 1/6" | |
| 25 | 26 | 29 | 43 | 52 x 1/6" | |
| 32 | 32 | 35 | 48 | 58 x 1/6" | |
| 40 | 38 | 41 | 48 | 65 x 1/6" | |
| 50 | 50 | 53 | 48 | 78 x 1/6" | |
| 65 | 66 | 70 | 60 | 95 x 1/6" | |
| 80 | 81 | 85 | 64 | 110 x 1/4" | |
| 100 | 100 | 104 | 64 | 130 x 1/4" | |

Alle maten in mm - All sizes in mm

Leverbaar in 316L (1.4404) - Available in 316L (1.4404)

DIN 11864 = lange uitvoering - DIN 11853 = korte uitvoering - DIN 11864 = long type - DIN 11853 = short type

Art.-Nr. 11058

| INCH | C | B | A | E | Lasdraadstuk DIN 11864-1 Form A (INCH) Welding male DIN 11864-1 Form A (INCH) |
|--------|-------|-------|------|------------|--|
| 1/2" | 9,4 | 12,7 | 41 | 28 x 1/8" | |
| 3/4" | 15,75 | 19,05 | 41 | 34 x 1/8" | |
| 1" | 22,1 | 25,4 | 43 | 52 x 1/6" | |
| 1-1/2" | 34,8 | 38,1 | 48,5 | 65 x 1/6" | |
| 2" | 47,5 | 50,8 | 48,5 | 78 x 1/6" | |
| 2-1/2" | 60,2 | 63,5 | 60 | 95 x 1/6" | |
| 3" | 72,9 | 76,2 | 64 | 110 x 1/4" | |
| 4" | 97,38 | 101,6 | 64 | 130 x 1/4" | |

Alle maten in mm - All sizes in mm

Leverbaar in 316L (1.4404) - Available in 316L (1.4404)

DIN 11864 = lange uitvoering - DIN 11853 = korte uitvoering - DIN 11864 = long type - DIN 11853 = short type

Art.-Nr. 11058

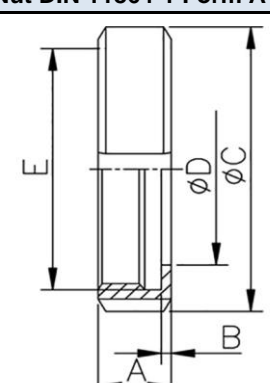
| ISO | C | B | A | E | Lasdraadstuk DIN 11864-1 Form A (ISO) Welding male DIN 11864-1 Form A (ISO) |
|-----|------|------|----|------------|--|
| 8 | 10,3 | 13,5 | 39 | 28 x 1/8" | |
| 10 | 14 | 17,2 | 39 | 34 x 1/8" | |
| 15 | 18,1 | 21,3 | 40 | 44 x 1/6" | |
| 20 | 23,7 | 26,9 | 41 | 52 x 1/6" | |
| 25 | 29,7 | 33,7 | 47 | 58 x 1/6" | |
| 32 | 38,4 | 42,4 | 47 | 65 x 1/6" | |
| 40 | 44,3 | 48,3 | 48 | 78 x 1/6" | |
| 50 | 56,3 | 60,3 | 62 | 95 x 1/6" | |
| 65 | 72,1 | 76,1 | 61 | 110 x 1/4" | |
| 80 | 84,3 | 88,9 | 68 | 130 x 1/4" | |

Alle maten in mm - All sizes in mm

Leverbaar in 316L (1.4404) - Available in 316L (1.4404)

DIN 11864 = lange uitvoering - DIN 11853 = korte uitvoering - DIN 11864 = long type - DIN 11853 = short type

Art.-Nr. 110029

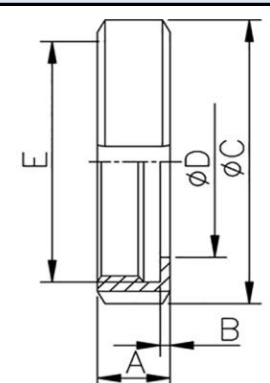
| DIN | C | D | A | B | E | Wartelmoer DIN 11864-1 Form A (DIN) Nut DIN 11864-1 Form A (DIN) |
|-----|-----|-----|----|-----|------------|---|
| 10 | 38 | 19 | 18 | 1,5 | 28 x 1/8" |  |
| 15 | 44 | 25 | 18 | 1,5 | 34 x 1/8" | |
| 20 | 54 | 31 | 20 | 1,5 | 44 x 1/6" | |
| 25 | 63 | 36 | 21 | 1,5 | 52 x 1/6" | |
| 32 | 70 | 42 | 21 | 1,5 | 58 x 1/6" | |
| 40 | 78 | 49 | 21 | 1,5 | 65 x 1/6" | |
| 50 | 92 | 62 | 22 | 1,5 | 78 x 1/6" | |
| 65 | 112 | 80 | 25 | 2 | 95 x 1/6" | |
| 80 | 127 | 94 | 29 | 2 | 110 x 1/4" | |
| 100 | 148 | 115 | 31 | 2,5 | 130 x 1/4" | |

Alle maten in mm - All sizes in mm

Leverbaar in 316L (1.4404) - Available in 316L (1.4404)

DIN 11864 = lange uitvoering - DIN 11853 = korte uitvoering - DIN 11864 = long type - DIN 11853 = short type

Art.-Nr. 110029

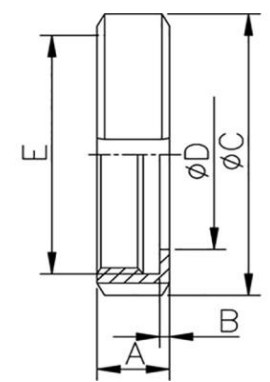
| DIN | C | D | A | B | E | Wartelmoer DIN 11864-1 Form A (INCH) Nut DIN 11864-1 Form A (INCH) |
|------|-----|-----|----|-----|-----------|--|
| 1/2" | 38 | 19 | 18 | 1,5 | 28 x 1/8" |  |
| 3/4" | 44 | 25 | 18 | 1,5 | 34 x 1/8" | |
| 1" | 63 | 36 | 21 | 1,5 | 44 x 1/6" | |
| 1,5" | 78 | 49 | 21 | 1,5 | 52 x 1/6" | |
| 2" | 92 | 62 | 22 | 1,5 | 58 x 1/6" | |
| 2,5" | 112 | 80 | 25 | 1,5 | 65 x 1/6" | |
| 3" | 127 | 94 | 29 | 1,5 | 78 x 1/6" | |
| 4" | 148 | 115 | 31 | 2 | 95 x 1/6" | |

Alle maten in mm - All sizes in mm

Leverbaar in 316L (1.4404) - Available in 316L (1.4404)

DIN 11864 = lange uitvoering - DIN 11853 = korte uitvoering - DIN 11864 = long type - DIN 11853 = short type

Art.-Nr. 110029

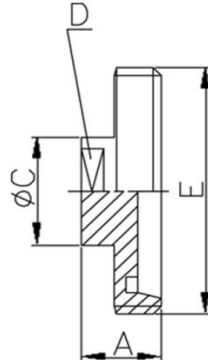
| DIN | C | D | A | B | E | Wartelmoer DIN 11864-1 Form A (ISO) Nut DIN 11864-1 Form A (ISO) |
|-----|-----|-----|----|-----|------------|---|
| 8 | 38 | 19 | 18 | 1,5 | 28 x 1/8" |  |
| 10 | 44 | 25 | 18 | 1,5 | 34 x 1/8" | |
| 15 | 54 | 31 | 20 | 1,5 | 44 x 1/6" | |
| 20 | 63 | 36 | 21 | 1,5 | 52 x 1/6" | |
| 25 | 70 | 42 | 21 | 1,5 | 58 x 1/6" | |
| 32 | 78 | 49 | 21 | 1,5 | 65 x 1/6" | |
| 40 | 92 | 62 | 22 | 1,5 | 78 x 1/6" | |
| 50 | 112 | 80 | 25 | 2 | 95 x 1/6" | |
| 65 | 127 | 94 | 29 | 2 | 110 x 1/4" | |
| 80 | 148 | 115 | 31 | 2,5 | 130 x 1/4" | |

Alle maten in mm - All sizes in mm

Leverbaar in 316L (1.4404) - Available in 316L (1.4404)

DIN 11864 = lange uitvoering - DIN 11853 = korte uitvoering - DIN 11864 = long type - DIN 11853 = short type

Art.-Nr. 11061

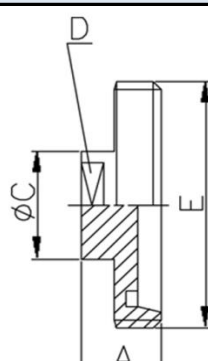
| DIN | C | A | E | Blinddraadstuk DIN 11864-1 Form A (DIN) Blank male DIN 11864-1 Form A (DIN) |
|-----|----|----|----------|--|
| 10 | 22 | 22 | 28x1/8" |  |
| 15 | 25 | 22 | 34x1/8" | |
| 20 | 25 | 24 | 44x1/6" | |
| 25 | 34 | 24 | 52x1/6" | |
| 32 | 34 | 24 | 58x1/6" | |
| 40 | 34 | 24 | 65x1/6" | |
| 50 | 34 | 24 | 78x1/6" | |
| 65 | 34 | 26 | 95x1/6" | |
| 80 | 34 | 30 | 110x1/4" | |
| 100 | 34 | 30 | 130x1/4" | |

Alle maten in mm - All sizes in mm

Leverbaar in 316L (1.4404) - Available in 316L (1.4404)

DIN 11864 = lange uitvoering - DIN 11853 = korte uitvoering - DIN 11864 = long type - DIN 11853 = short type

Art.-Nr. 11061

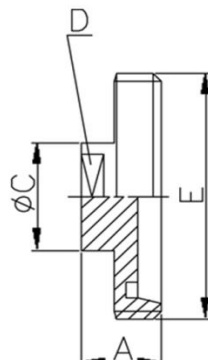
| INCH | C | A | E | Blinddraadstuk DIN 11864-1 Form A (INCH) Blank male DIN 11864-1 Form A (INCH) |
|--------|----|----|------------|---|
| 1/2" | 34 | 22 | 28 x 1/8" |  |
| 3/4" | 34 | 22 | 34 x 1/8" | |
| 1" | 34 | 24 | 52 x 1/6" | |
| 1-1/2" | 34 | 24 | 65 x 1/6" | |
| 2" | 34 | 24 | 78 x 1/6" | |
| 2-1/2" | 34 | 26 | 95 x 1/6" | |
| 3" | 34 | 30 | 110 x 1/4" | |
| 4" | 34 | 30 | 130 x 1/4" | |

Alle maten in mm - All sizes in mm

Leverbaar in 316L (1.4404) - Available in 316L (1.4404)

DIN 11864 = lange uitvoering - DIN 11853 = korte uitvoering - DIN 11864 = long type - DIN 11853 = short type

Art.-Nr. 11061

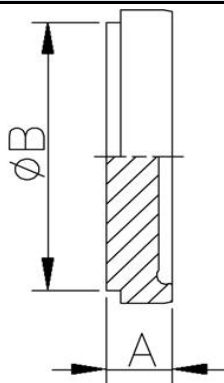
| ISO | C | A | E | Blinddraadstuk DIN 11864-1 Form A (ISO) Blank male DIN 11864-1 Form A (ISO) |
|-----|----|----|----------|--|
| 8 | 22 | 22 | 28x1/8" |  |
| 10 | 25 | 22 | 34x1/8" | |
| 15 | 25 | 24 | 44x1/6" | |
| 20 | 34 | 24 | 52x1/6" | |
| 25 | 34 | 24 | 58x1/6" | |
| 32 | 34 | 24 | 65x1/6" | |
| 40 | 34 | 24 | 78x1/6" | |
| 50 | 34 | 26 | 95x1/6" | |
| 65 | 34 | 30 | 110x1/4" | |
| 80 | 34 | 30 | 130x1/4" | |

Alle maten in mm - All sizes in mm

Leverbaar in 316L (1.4404) - Available in 316L (1.4404)

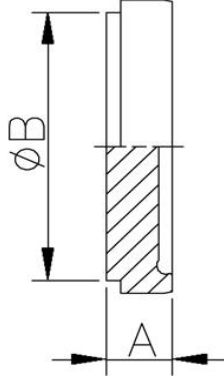
DIN 11864 = lange uitvoering - DIN 11853 = korte uitvoering - DIN 11864 = long type - DIN 11853 = short type

Art.-Nr. 11060

| DIN | A | B | Blindpuntstuk DIN 11864-1 Form A (DIN) |
|-----|----|-------|--|
| 10 | 9 | 21,9 |  |
| 15 | 9 | 27,9 | |
| 20 | 10 | 35,9 | |
| 25 | 12 | 42,9 | |
| 32 | 13 | 48,9 | |
| 40 | 13 | 54,9 | |
| 50 | 14 | 66,9 | |
| 65 | 16 | 84,9 | |
| 80 | 16 | 98,9 | |
| 100 | 20 | 118,9 | |
| | | | |

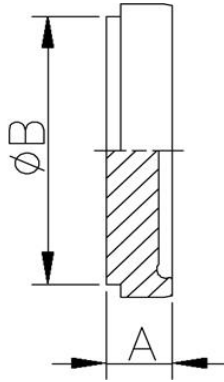
Alle maten in mm - All sizes in mm
Leverbaar in 316L (1.4404) - Available in 316L (1.4404)
DIN 11864 = lange uitvoering - DIN 11853 = korte uitvoering - DIN 11864 = long type - DIN 11853 = short type

Art.-Nr. 11060

| INCH | A | B | Blindpuntstuk DIN 11864-1 Form A (INCH) | |
|--------|----|-------|---|---------------------------------------|
| 1/2" | 9 | 21,9 |  | |
| 3/4" | 9 | 27,9 | | |
| 1" | 12 | 42,9 | | |
| 1-1/2" | 13 | 54,9 | | |
| 2" | 14 | 66,9 | | |
| 2-1/2" | 16 | 84,9 | | |
| 3" | 16 | 98,9 | | |
| 4" | 20 | 118,9 | | |
| | | | | Blank liner DIN 11864-1 Form A (INCH) |

Alle maten in mm - All sizes in mm
Leverbaar in 316L (1.4404) - Available in 316L (1.4404)
DIN 11864 = lange uitvoering - DIN 11853 = korte uitvoering - DIN 11864 = long type - DIN 11853 = short type

Art.-Nr. 11060

| ISO | A | B | Blindpuntstuk DIN 11864-1 Form A (ISO) |
|-----|----|-------|--|
| 8 | 22 | 21,9 |  |
| 10 | 25 | 27,9 | |
| 15 | 25 | 35,9 | |
| 20 | 34 | 42,9 | |
| 25 | 34 | 48,9 | |
| 32 | 34 | 54,9 | |
| 40 | 34 | 66,9 | |
| 50 | 34 | 84,9 | |
| 65 | 34 | 98,9 | |
| 80 | 34 | 118,9 | |
| | | | |

Alle maten in mm - All sizes in mm
Leverbaar in 316L (1.4404) - Available in 316L (1.4404)
DIN 11864 = lange uitvoering - DIN 11853 = korte uitvoering - DIN 11864 = long type - DIN 11853 = short type

Art.-Nr. 11059

| DIN | C | B | A | Laspuntstuk DIN 11864-1 Form A (DIN) Welding liner DIN 11864-1 Form A (DIN) |
|-----|-----|-----|----|--|
| 10 | 10 | 13 | 39 | |
| 15 | 16 | 19 | 39 | |
| 20 | 20 | 23 | 38 | |
| 25 | 26 | 29 | 40 | |
| 32 | 32 | 35 | 47 | |
| 40 | 38 | 41 | 47 | |
| 50 | 50 | 53 | 48 | |
| 65 | 66 | 70 | 61 | |
| 80 | 81 | 85 | 61 | |
| 100 | 100 | 104 | 66 | |

Alle maten in mm - All sizes in mm

Leverbaar in 316L (1.4404) - Available in 316L (1.4404)

DIN 11864 = lange uitvoering - DIN 11853 = korte uitvoering - DIN 11864 = long type - DIN 11853 = short type

Art.-Nr. 11059

| INCH | C | B | A | Laspuntstuk DIN 11864-1 Form A (INCH) Welding liner DIN 11864-1 Form A (INCH) |
|--------|-------|-------|------|--|
| 1/2" | 9,4 | 12,7 | 39 | |
| 3/4" | 15,75 | 19,05 | 39 | |
| 1" | 22,1 | 25,4 | 40 | |
| 1-1/2" | 34,8 | 38,1 | 46,5 | |
| 2" | 47,5 | 50,8 | 47,5 | |
| 2-1/2" | 60,2 | 63,5 | 63 | |
| 3" | 72,9 | 76,2 | 61 | |
| 4" | 97,38 | 101,6 | 65 | |

Alle maten in mm - All sizes in mm

Leverbaar in 316L (1.4404) - Available in 316L (1.4404)

DIN 11864 = lange uitvoering - DIN 11853 = korte uitvoering - DIN 11864 = long type - DIN 11853 = short type

Art.-Nr. 11059

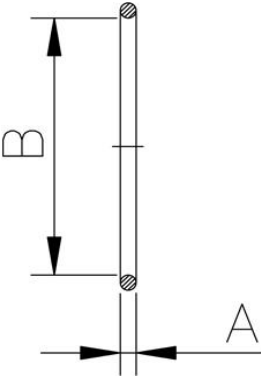
| ISO | C | B | D | Laspuntstuk DIN 11864-1 Form A (ISO) Welding liner DIN 11864-1 Form A (ISO) |
|-----|------|------|----|--|
| 8 | 10,3 | 13,5 | 39 | |
| 10 | 14 | 17,2 | 39 | |
| 15 | 18,1 | 21,3 | 40 | |
| 20 | 23,7 | 26,9 | 41 | |
| 25 | 29,7 | 33,7 | 47 | |
| 32 | 38,4 | 42,4 | 47 | |
| 40 | 44,3 | 48,3 | 48 | |
| 50 | 56,3 | 60,3 | 62 | |
| 65 | 72,1 | 76,1 | 61 | |
| 80 | 84,3 | 88,9 | 68 | |

Alle maten in mm - All sizes in mm

Leverbaar in 316L (1.4404) - Available in 316L (1.4404)

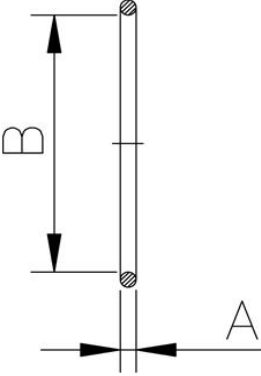
DIN 11864 = lange uitvoering - DIN 11853 = korte uitvoering - DIN 11864 = long type - DIN 11853 = short type

Art.-Nr. 110062

| DIN | A | B | O-ring DIN 11864 Form A (DIN) |
|-----|-----|-----|--|
| 10 | 3,5 | 12 | O-ring gasket DIN 11864 Form A (DIN) |
| 15 | 3,5 | 18 |  |
| 20 | 3,5 | 22 | |
| 25 | 3,5 | 28 | |
| 32 | 5 | 34 | |
| 40 | 5 | 40 | |
| 50 | 5 | 52 | |
| 65 | 5 | 68 | |
| 80 | 5 | 83 | |
| 100 | 5 | 102 | |
| 125 | 5 | 127 | |
| 150 | 5 | 152 | |

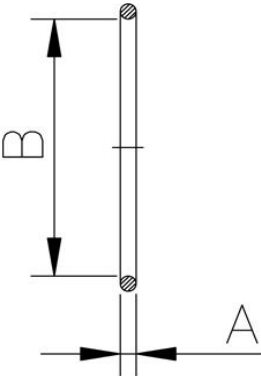
Alle maten in mm - All sizes in mm
Leverbaar in EPDM, VITON & HNBR - Available in EPDM, VITON & HNBR
DIN 11864 = lange uitvoering - DIN 11853 = korte uitvoering - DIN 11864 = long type - DIN 11853 = short type

Art.-Nr. 110062

| INCH | A | B | O-ring DIN 11864 Form A (INCH) |
|--------|-----|-----|---|
| 1/2" | 3,5 | 12 | O-ring gasket DIN 11864 Form A (INCH) |
| 3/4" | 3,5 | 18 |  |
| 1" | 3,5 | 24 | |
| 1-1/2" | 5 | 37 | |
| 2" | 5 | 50 | |
| 2-1/2" | 5 | 62 | |
| 3" | 5 | 75 | |
| 4" | 5 | 100 | |
| | | | |
| | | | |
| | | | |

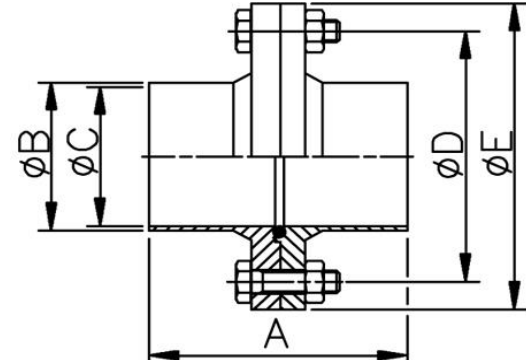
Alle maten in mm - All sizes in mm
Leverbaar in EPDM, VITON & HNBR - Available in EPDM, VITON & HNBR
DIN 11864 = lange uitvoering - DIN 11853 = korte uitvoering - DIN 11864 = long type - DIN 11853 = short type

Art.-Nr. 110062

| ISO | A | B | O-ring DIN 11864 Form A (ISO) |
|-----|-----|------|--|
| 8 | 3,5 | 12 | O-ring gasket DIN 11864 Form A (ISO) |
| 10 | 3,5 | 16 |  |
| 15 | 3,5 | 20 | |
| 20 | 3,5 | 26 | |
| 25 | 5 | 32 | |
| 32 | 5 | 40,5 | |
| 40 | 5 | 46,5 | |
| 50 | 5 | 58,5 | |
| 65 | 5 | 73,5 | |
| 80 | 5 | 86,5 | |
| 100 | 5 | 111 | |

Alle maten in mm - All sizes in mm
Leverbaar in EPDM, VITON & HNBR - Available in EPDM, VITON & HNBR
DIN 11864 = lange uitvoering - DIN 11853 = korte uitvoering - DIN 11864 = long type - DIN 11853 = short type

Art.-Nr. 11065

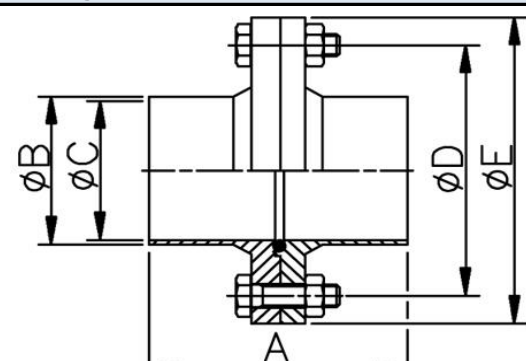
| DN | C | B | D | A | Flensverbinding DIN 11864-2 Form A (DIN) Flange connection DIN 11864-2 Form A (DIN) |
|-----|-----|-----|-----|-----|--|
| 10 | 10 | 13 | 37 | 80 |  |
| 15 | 16 | 19 | 42 | 80 | |
| 20 | 20 | 23 | 47 | 80 | |
| 25 | 26 | 29 | 53 | 80 | |
| 32 | 32 | 35 | 59 | 90 | |
| 40 | 38 | 41 | 65 | 90 | |
| 50 | 50 | 53 | 77 | 90 | |
| 65 | 66 | 70 | 95 | 108 | |
| 80 | 81 | 85 | 112 | 116 | |
| 100 | 100 | 104 | 137 | 116 | |
| 125 | 125 | 129 | 161 | 120 | |
| 150 | 150 | 154 | 188 | 120 | |

Alle maten in mm - All sizes in mm

Leverbaar in 316L (1.4404) - Available in 316L (1.4404)

DIN 11864 = lange uitvoering - DIN 11853 = korte uitvoering - DIN 11864 = long type - DIN 11853 = short type

Art.-Nr. 11065

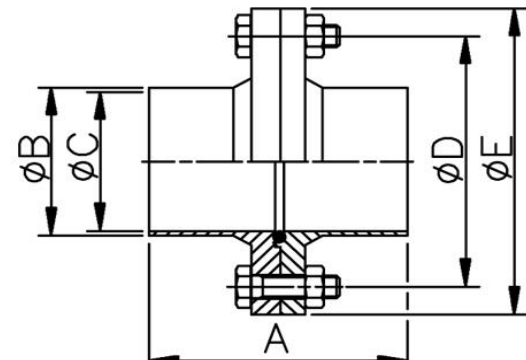
| INCH | C | B | D | A | Flensverbinding DIN 11864-2 Form A (INCH) Flange connection DIN 11864-2 Form A (INCH) |
|--------|-------|-------|-----|-----|--|
| 1/2" | 9,4 | 12,7 | 37 | 80 |  |
| 3/4" | 15,75 | 19,05 | 42 | 80 | |
| 1" | 22,1 | 25,4 | 49 | 80 | |
| 1-1/2" | 34,8 | 38,1 | 62 | 90 | |
| 2" | 47,5 | 50,8 | 75 | 90 | |
| 2-1/2" | 60,2 | 63,5 | 89 | 108 | |
| 3" | 72,9 | 76,2 | 104 | 112 | |
| 4" | 97,38 | 101,6 | 135 | 116 | |

Alle maten in mm - All sizes in mm

Leverbaar in 316L (1.4404) - Available in 316L (1.4404)

DIN 11864 = lange uitvoering - DIN 11853 = korte uitvoering - DIN 11864 = long type - DIN 11853 = short type

Art.-Nr. 11065

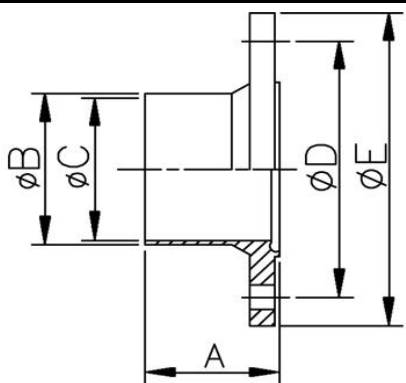
| DN | C | B | D | A | Flensverbinding DIN 11864-2 Form A (ISO) Flange connection DIN 11864-2 Form A (ISO) |
|-----|------|------|-----|-----|--|
| 8 | 10,3 | 13,5 | 54 | 80 |  |
| 10 | 14 | 17,2 | 59 | 80 | |
| 15 | 18,1 | 21,3 | 62 | 80 | |
| 20 | 23,7 | 26,9 | 69 | 80 | |
| 25 | 29,7 | 33,7 | 74 | 90 | |
| 32 | 38,4 | 42,4 | 82 | 90 | |
| 40 | 44,3 | 48,3 | 88 | 90 | |
| 50 | 56,3 | 60,3 | 103 | 108 | |
| 65 | 72,1 | 76,1 | 125 | 112 | |
| 80 | 84,3 | 88,9 | 137 | 116 | |
| 100 | 110 | 114 | 168 | 116 | |

Alle maten in mm - All sizes in mm

Leverbaar in 316L (1.4404) - Available in 316L (1.4404)

DIN 11864 = lange uitvoering - DIN 11853 = korte uitvoering - DIN 11864 = long type - DIN 11853 = short type

Art.-Nr. 11070

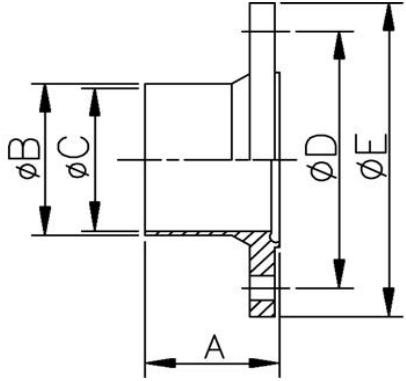
| DN | C | B | E | D | A | Nut flens DIN 11864-2 Form A (DIN) Nut flange DIN 11864-2 Form A (DIN) |
|-----|-----|-----|-----|-----|------|---|
| 10 | 10 | 13 | 54 | 37 | 41,5 |  |
| 15 | 16 | 19 | 59 | 42 | 41,5 | |
| 20 | 20 | 23 | 64 | 47 | 41,5 | |
| 25 | 26 | 29 | 70 | 53 | 41,5 | |
| 32 | 32 | 35 | 76 | 59 | 46,5 | |
| 40 | 38 | 41 | 82 | 65 | 46,5 | |
| 50 | 50 | 53 | 94 | 77 | 46,5 | |
| 65 | 66 | 70 | 113 | 95 | 55,5 | |
| 80 | 81 | 85 | 133 | 112 | 59,5 | |
| 100 | 100 | 104 | 159 | 137 | 59,5 | |
| 125 | 125 | 129 | 183 | 161 | 61,5 | |
| 150 | 150 | 154 | 213 | 188 | 61,5 | |

Alle maten in mm - All sizes in mm

Leverbaar in 316L (1.4404) - Available in 316L (1.4404)

DIN 11864 = lange uitvoering - DIN 11853 = korte uitvoering - DIN 11864 = long type - DIN 11853 = short type

Art.-Nr. 11070

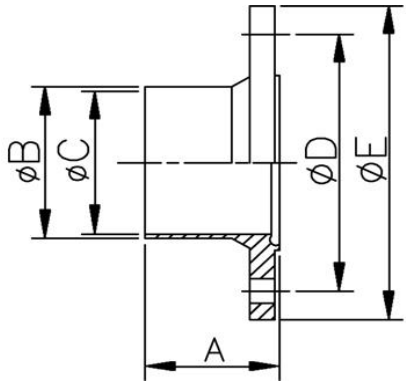
| INCH | C | B | E | D | A | Nut flens DIN 11864-2 Form A (INCH) Nut flange DIN 11864-2 Form A (INCH) |
|------|-------|-------|-----|-----|------|--|
| 1/2" | 9,4 | 12,7 | 54 | 37 | 41,5 |  |
| 3/4" | 15,75 | 19,05 | 59 | 42 | 41,5 | |
| 1" | 22,1 | 25,4 | 66 | 49 | 41,5 | |
| 1,5" | 34,8 | 38,1 | 79 | 62 | 46,5 | |
| 2" | 47,5 | 50,8 | 92 | 75 | 46,5 | |
| 2,5" | 60,2 | 63,5 | 107 | 89 | 55,5 | |
| 3" | 72,9 | 76,2 | 125 | 104 | 57,5 | |
| 4" | 97,38 | 101,6 | 157 | 135 | 59,5 | |

Alle maten in mm - All sizes in mm

Leverbaar in 316L (1.4404) - Available in 316L (1.4404)

DIN 11864 = lange uitvoering - DIN 11853 = korte uitvoering - DIN 11864 = long type - DIN 11853 = short type

Art.-Nr. 11070

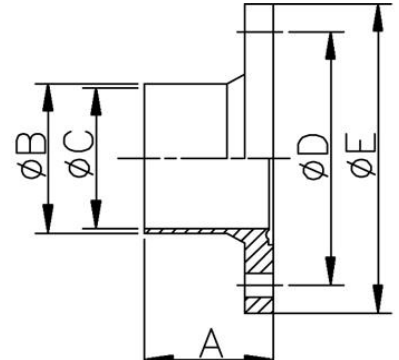
| DN | C | B | E | D | A | Nut flens DIN 11864-2 Form A (ISO) Nut flange DIN 11864-2 Form A (ISO) |
|-----|------|------|-----|-----|------|---|
| 8 | 10,3 | 13,5 | 54 | 37 | 41,5 |  |
| 10 | 14 | 17,2 | 59 | 42 | 41,5 | |
| 15 | 18,1 | 21,3 | 62 | 45 | 41,5 | |
| 20 | 23,7 | 26,9 | 69 | 52 | 41,5 | |
| 25 | 29,7 | 33,7 | 74 | 57 | 46,5 | |
| 32 | 38,4 | 42,4 | 82 | 65 | 46,5 | |
| 40 | 44,3 | 48,3 | 88 | 71 | 46,5 | |
| 50 | 56,3 | 60,3 | 103 | 85 | 55,5 | |
| 65 | 72,1 | 76,1 | 125 | 104 | 57,5 | |
| 80 | 84,3 | 88,9 | 137 | 116 | 59,5 | |
| 100 | 110 | 114 | 168 | 146 | 59,5 | |

Alle maten in mm - All sizes in mm

Leverbaar in 316L (1.4404) - Available in 316L (1.4404)

DIN 11864 = lange uitvoering - DIN 11853 = korte uitvoering - DIN 11864 = long type - DIN 11853 = short type

Art.-Nr. 11070

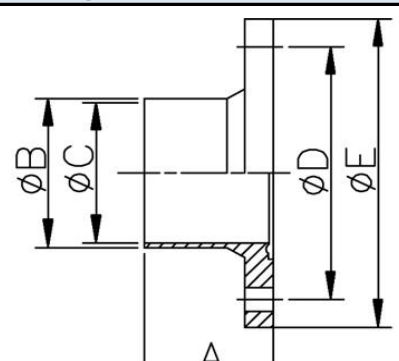
| DN | C | B | E | D | A | O | Bund flens DIN 11864-2 FORM A (DIN) Liner flange DIN 11864-2 FORM A (DIN) |
|-----|-----|-----|-----|-----|------|---------|---|
| 10 | 10 | 13 | 54 | 37 | 41,5 | 4x Ø 9 |  |
| 15 | 16 | 19 | 59 | 42 | 41,5 | 4x Ø 9 | |
| 20 | 20 | 23 | 64 | 47 | 41,5 | 4x Ø 9 | |
| 25 | 26 | 29 | 70 | 53 | 41,5 | 4x Ø 9 | |
| 32 | 32 | 35 | 76 | 59 | 46,5 | 4x Ø 9 | |
| 40 | 38 | 41 | 82 | 65 | 46,5 | 4x Ø 9 | |
| 50 | 50 | 53 | 94 | 77 | 46,5 | 4x Ø 9 | |
| 65 | 66 | 70 | 113 | 95 | 55,5 | 8x Ø 9 | |
| 80 | 81 | 85 | 133 | 112 | 59,5 | 4x Ø 9 | |
| 100 | 100 | 104 | 159 | 137 | 59,5 | 8x Ø 11 | |
| 125 | 125 | 129 | 183 | 161 | 61,5 | 8x Ø 11 | |
| 150 | 150 | 154 | 213 | 188 | 61,5 | 8x Ø 14 | |

Alle maten in mm - All sizes in mm

Leverbaar in 316L (1.4404) - Available in 316L (1.4404)

DIN 11864 = lange uitvoering - DIN 11853 = korte uitvoering - DIN 11864 = long type - DIN 11853 = short type

Art.-Nr. 11070

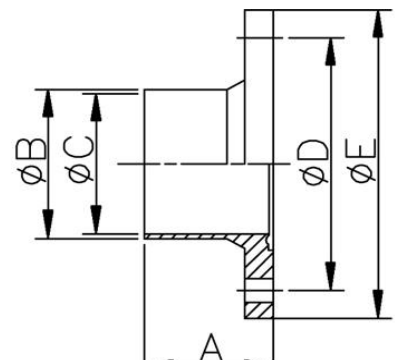
| INCH | C | B | E | D | A | O | Bund flens DIN 11864-2 FORM A (INCH) Liner flange DIN 11864-2 FORM A (INCH) |
|------|-------|-------|-----|-----|------|---------|--|
| 1/2" | 9,4 | 12,7 | 54 | 37 | 41,5 | 4x Ø 9 |  |
| 3/4" | 15,75 | 19,05 | 59 | 42 | 41,5 | 4x Ø 9 | |
| 1" | 22,1 | 25,4 | 66 | 49 | 41,5 | 4x Ø 9 | |
| 1,5" | 34,8 | 38,1 | 79 | 62 | 46,5 | 4x Ø 9 | |
| 2" | 47,5 | 50,8 | 92 | 75 | 46,5 | 4x Ø 9 | |
| 2,5" | 60,2 | 63,5 | 107 | 89 | 55,5 | 8x Ø 9 | |
| 3" | 72,9 | 76,2 | 125 | 104 | 57,5 | 8x Ø 11 | |
| 4" | 97,38 | 101,6 | 157 | 135 | 59,5 | 8x Ø 11 | |
| | | | | | | | |
| | | | | | | | |

Alle maten in mm - All sizes in mm

Leverbaar in 316L (1.4404) - Available in 316L (1.4404)

DIN 11864 = lange uitvoering - DIN 11853 = korte uitvoering - DIN 11864 = long type - DIN 11853 = short type

Art.-Nr. 11070

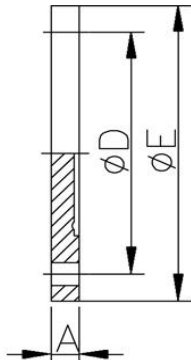
| DN | C | B | E | D | A | O | Bund flens DIN 11864-2 FORM A (ISO) Liner flange DIN 11864-2 FORM A (ISO) |
|-----|------|------|-----|-----|------|---------|---|
| 8 | 10,3 | 13,5 | 54 | 37 | 41,5 | 4x Ø 9 |  |
| 10 | 14 | 17,2 | 59 | 42 | 41,5 | 4x Ø 9 | |
| 15 | 18,1 | 21,3 | 62 | 45 | 41,5 | 4x Ø 9 | |
| 20 | 23,7 | 26,9 | 69 | 52 | 41,5 | 4x Ø 9 | |
| 25 | 29,7 | 33,7 | 74 | 57 | 46,5 | 4x Ø 9 | |
| 32 | 38,4 | 42,4 | 82 | 65 | 46,5 | 4x Ø 9 | |
| 40 | 44,3 | 48,3 | 88 | 71 | 46,5 | 4x Ø 9 | |
| 50 | 56,3 | 60,3 | 103 | 85 | 55,5 | 4x Ø 9 | |
| 65 | 72,1 | 76,1 | 125 | 104 | 57,5 | 8x Ø 11 | |
| 80 | 84,3 | 88,9 | 137 | 116 | 59,5 | 8x Ø 11 | |
| 100 | 110 | 114 | 168 | 146 | 59,5 | 8x Ø 11 | |

Alle maten in mm - All sizes in mm

Leverbaar in 316L (1.4404) - Available in 316L (1.4404)

DIN 11864 = lange uitvoering - DIN 11853 = korte uitvoering - DIN 11864 = long type - DIN 11853 = short type

Art.-Nr. 11081

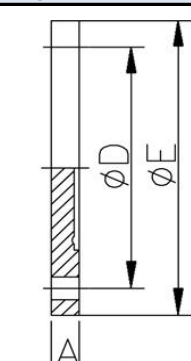
| DN | A | E | D | Ø | Blind bund flens DIN 11864-2 Form A (DIN) Blank liner flange DIN 11864-2 Form A (DIN) |
|-----|----|-----|-----|---------|--|
| 10 | 10 | 54 | 37 | 4x Ø 9 |  |
| 15 | 10 | 59 | 42 | 4x Ø 9 | |
| 20 | 10 | 64 | 47 | 4x Ø 9 | |
| 25 | 10 | 70 | 53 | 4x Ø 9 | |
| 32 | 10 | 76 | 59 | 4x Ø 9 | |
| 40 | 10 | 82 | 65 | 4x Ø 9 | |
| 50 | 10 | 94 | 77 | 4x Ø 9 | |
| 65 | 10 | 113 | 95 | 4x Ø 9 | |
| 80 | 12 | 133 | 112 | 8x Ø 11 | |
| 100 | 14 | 159 | 137 | 8x Ø 11 | |
| 125 | 14 | 183 | 161 | 8x Ø 11 | |
| 150 | 16 | 213 | 188 | 8x Ø 14 | |

Alle maten in mm - All sizes in mm

Leverbaar in 316L (1.4404) - Available in 316L (1.4404)

DIN 11864 = lange uitvoering - DIN 11853 = korte uitvoering - DIN 11864 = long type - DIN 11853 = short type

Art.-Nr. 11081

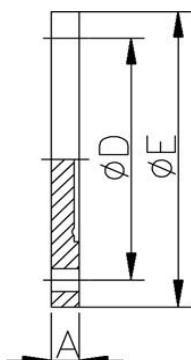
| INCH | A | E | D | Ø | Blind bund flens DIN 11864-2 Form A (INCH) Blank liner flange DIN 11864-2 Form A (INCH) |
|--------|----|-----|-----|---------|--|
| 1/2" | 10 | 54 | 38 | 4x Ø 9 |  |
| 3/4" | 10 | 59 | 44 | 4x Ø 9 | |
| 1" | 10 | 66 | 63 | 4x Ø 9 | |
| 1-1/2" | 10 | 79 | 78 | 4x Ø 9 | |
| 2" | 10 | 92 | 92 | 4x Ø 9 | |
| 2-1/2" | 10 | 107 | 112 | 8x Ø 9 | |
| 3" | 12 | 125 | 127 | 8x Ø 11 | |
| 4" | 14 | 157 | 148 | 8x Ø 11 | |
| | | | | | |
| | | | | | |

Alle maten in mm - All sizes in mm

Leverbaar in 316L (1.4404) - Available in 316L (1.4404)

DIN 11864 = lange uitvoering - DIN 11853 = korte uitvoering - DIN 11864 = long type - DIN 11853 = short type

Art.-Nr. 11081

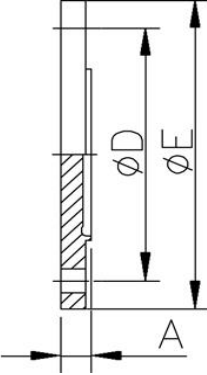
| DN | A | E | D | Ø | Blind bund flens DIN 11864-2 Form A (ISO) Blank liner flange DIN 11864-2 Form A (ISO) |
|-----|----|-----|-----|---------|--|
| 8 | 10 | 54 | 37 | 4x Ø 9 |  |
| 10 | 10 | 59 | 42 | 4x Ø 9 | |
| 15 | 10 | 62 | 45 | 4x Ø 9 | |
| 20 | 10 | 69 | 52 | 4x Ø 9 | |
| 25 | 10 | 74 | 57 | 4x Ø 9 | |
| 32 | 10 | 82 | 65 | 4x Ø 9 | |
| 40 | 10 | 88 | 71 | 4x Ø 9 | |
| 50 | 10 | 103 | 85 | 4x Ø 9 | |
| 65 | 12 | 125 | 104 | 8x Ø 11 | |
| 80 | 12 | 137 | 116 | 8x Ø 11 | |
| 100 | 14 | 168 | 146 | 8x Ø 11 | |

Alle maten in mm - All sizes in mm

Leverbaar in 316L (1.4404) - Available in 316L (1.4404)

DIN 11864 = lange uitvoering - DIN 11853 = korte uitvoering - DIN 11864 = long type - DIN 11853 = short type

Art.-Nr. 11081

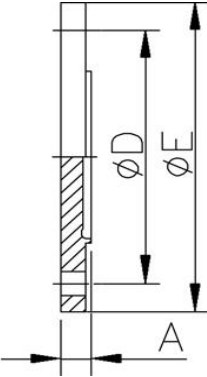
| DN | A | E | D | | Blind nut flens DIN 11864-2 Form A (DIN) Blank nut flange DIN 11864-2 Form A (DIN) |
|-----|------|-----|-----|---------|---|
| 10 | 11,5 | 54 | 37 | 4x Ø 9 |  |
| 15 | 11,5 | 59 | 42 | 4x Ø 9 | |
| 20 | 11,5 | 64 | 47 | 4x Ø 9 | |
| 25 | 11,5 | 70 | 53 | 4x Ø 9 | |
| 32 | 11,5 | 76 | 59 | 4x Ø 9 | |
| 40 | 11,5 | 82 | 65 | 4x Ø 9 | |
| 50 | 11,5 | 94 | 77 | 4x Ø 9 | |
| 65 | 11,5 | 113 | 95 | 4x Ø 9 | |
| 80 | 13,5 | 133 | 112 | 8x Ø 11 | |
| 100 | 15,5 | 159 | 137 | 8x Ø 11 | |
| 125 | 15,5 | 183 | 161 | 8x Ø 11 | |
| 150 | 17,5 | 213 | 188 | 8x Ø 14 | |

Alle maten in mm - All sizes in mm

Leverbaar in 316L (1.4404) - Available in 316L (1.4404)

DIN 11864 = lange uitvoering - DIN 11853 = korte uitvoering - DIN 11864 = long type - DIN 11853 = short type

Art.-Nr. 11081

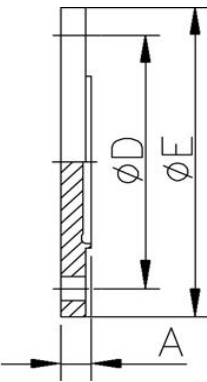
| INCH | A | E | D | | Blind nut flens DIN 11864-2 Form A (INCH) Blank nut flange DIN 11864-2 Form A (INCH) |
|--------|------|-----|-----|---------|---|
| 1/2" | 11,5 | 54 | 37 | 4x Ø 9 |  |
| 3/4" | 11,5 | 59 | 42 | 4x Ø 9 | |
| 1" | 11,5 | 66 | 49 | 4x Ø 9 | |
| 1-1/2" | 11,5 | 79 | 62 | 4x Ø 9 | |
| 2" | 11,5 | 92 | 75 | 4x Ø 9 | |
| 2-1/2" | 11,5 | 107 | 89 | 8x Ø 9 | |
| 3" | 13,5 | 125 | 104 | 8x Ø 11 | |
| 4" | 15,5 | 157 | 135 | 8x Ø 11 | |

Alle maten in mm - All sizes in mm

Leverbaar in 316L (1.4404) - Available in 316L (1.4404)

DIN 11864 = lange uitvoering - DIN 11853 = korte uitvoering - DIN 11864 = long type - DIN 11853 = short type

Art.-Nr. 11081

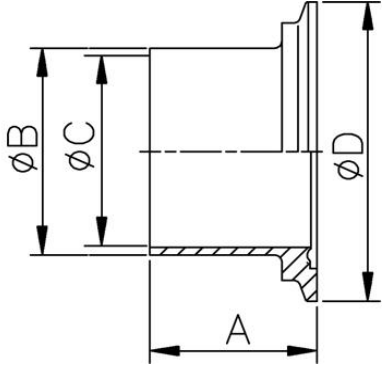
| DN | A | E | D | | Blind nut flens DIN 11864-2 Form A (ISO) Blank nut flange DIN 11864-2 Form A (ISO) |
|-----|------|-----|-----|---------|---|
| 8 | 11,5 | 54 | 37 | 4x Ø 9 |  |
| 10 | 11,5 | 59 | 42 | 4x Ø 9 | |
| 15 | 11,5 | 62 | 45 | 4x Ø 9 | |
| 20 | 11,5 | 69 | 52 | 4x Ø 9 | |
| 25 | 11,5 | 74 | 57 | 4x Ø 9 | |
| 32 | 11,5 | 82 | 65 | 4x Ø 9 | |
| 40 | 11,5 | 88 | 71 | 4x Ø 9 | |
| 50 | 11,5 | 103 | 85 | 4x Ø 9 | |
| 65 | 13,5 | 125 | 104 | 8x Ø 11 | |
| 80 | 13,5 | 137 | 116 | 8x Ø 11 | |
| 100 | 15,5 | 168 | 146 | 8x Ø 11 | |

Alle maten in mm - All sizes in mm

Leverbaar in 316L (1.4404) - Available in 316L (1.4404)

DIN 11864 = lange uitvoering - DIN 11853 = korte uitvoering - DIN 11864 = long type - DIN 11853 = short type

Art.-Nr. 11083

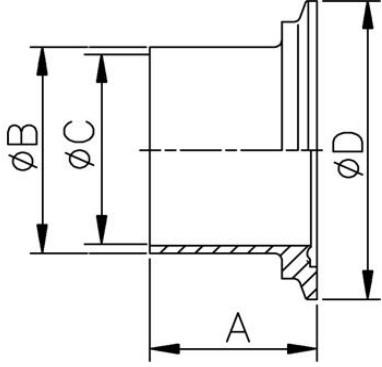
| DN | C | B | A | D | Bundklemmstutz DIN 11864-3 Form A (DIN) Clamp liner DIN 11864-3 Form A (DIN) |
|-----|-----|-----|------|------|--|
| 10 | 10 | 13 | 38 | 34 |  |
| 15 | 16 | 19 | 38 | 34 | |
| 20 | 20 | 23 | 38 | 50,5 | |
| 25 | 26 | 29 | 38,5 | 50,5 | |
| 32 | 32 | 35 | 44 | 50,5 | |
| 40 | 38 | 41 | 44 | 64 | |
| 50 | 50 | 53 | 44,5 | 77,5 | |
| 65 | 66 | 70 | 56,5 | 91 | |
| 80 | 81 | 85 | 58,5 | 106 | |
| 100 | 100 | 104 | 60 | 130 | |

Alle maten in mm - All sizes in mm

Leverbaar in 316L (1.4404) - Available in 316L (1.4404)

DIN 11864 = lange uitvoering - DIN 11853 = korte uitvoering - DIN 11864 = long type - DIN 11853 = short type

Art.-Nr. 11083

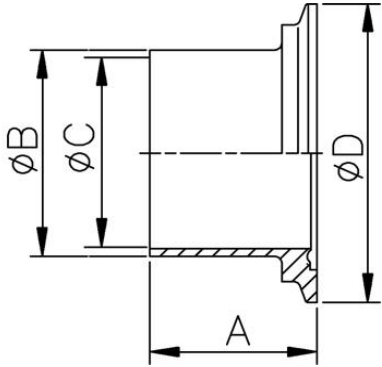
| INCH | C | B | A | D | Bundklemmstutz DIN 11864-3 Form A (INCH) Clamp liner DIN 11864-3 Form A (INCH) |
|--------|-------|-------|------|------|---|
| 1/2" | 9,4 | 12,7 | 38 | 34 |  |
| 3/4" | 15,75 | 19,05 | 38 | 34 | |
| 1" | 22,1 | 25,4 | 38,5 | 50,5 | |
| 1-1/2" | 34,8 | 38,1 | 44 | 64 | |
| 2" | 47,5 | 50,8 | 44,5 | 77,5 | |
| 2-1/2" | 60,2 | 63,5 | 57,5 | 91 | |
| 3" | 72,9 | 76,2 | 58,5 | 106 | |
| 4" | 97,38 | 101,6 | 59,5 | 130 | |

Alle maten in mm - All sizes in mm

Leverbaar in 316L (1.4404) - Available in 316L (1.4404)

DIN 11864 = lange uitvoering - DIN 11853 = korte uitvoering - DIN 11864 = long type - DIN 11853 = short type

Art.-Nr. 11083

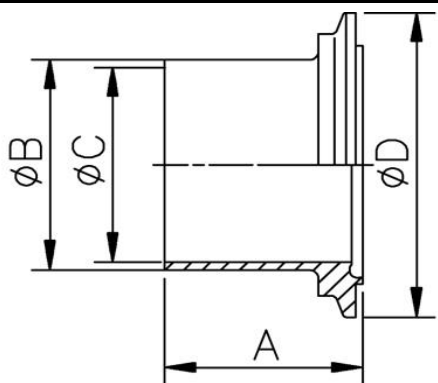
| DN | C | B | A | D | Bundklemmstutz DIN 11864-3 Form A (ISO) Clamp liner DIN 11864-3 Form A (ISO) |
|----|------|------|------|------|--|
| 8 | 10,3 | 13,5 | 38 | 34 |  |
| 10 | 14 | 17,2 | 38 | 34 | |
| 15 | 18,1 | 21,3 | 38 | 34 | |
| 20 | 23,7 | 26,9 | 38 | 50,5 | |
| 25 | 29,7 | 33,7 | 38,5 | 50,5 | |
| 32 | 38,4 | 42,4 | 44 | 64 | |
| 40 | 44,3 | 48,3 | 44 | 64 | |
| 50 | 56,3 | 60,3 | 44,5 | 91 | |
| 65 | 72,1 | 76,1 | 56,5 | 106 | |
| 80 | 84,3 | 88,9 | 58,5 | 119 | |

Alle maten in mm - All sizes in mm

Leverbaar in 316L (1.4404) - Available in 316L (1.4404)

DIN 11864 = lange uitvoering - DIN 11853 = korte uitvoering - DIN 11864 = long type - DIN 11853 = short type

Art.-Nr. 11080

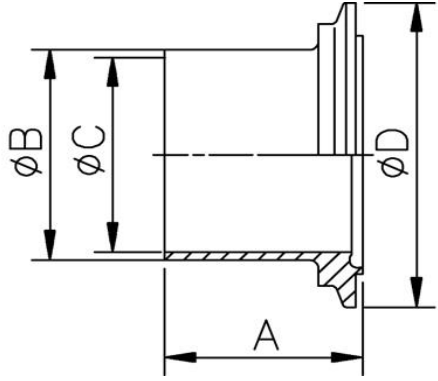
| DN | C | B | A | D | Nutklemmstutz DIN 11864-3 Form A (DIN) Clamp nut DIN 11864-3 Form A (DIN) |
|-----|-----|-----|------|------|--|
| 10 | 10 | 13 | 39,5 | 34 |  |
| 15 | 16 | 19 | 39,5 | 34 | |
| 20 | 20 | 23 | 39,5 | 50,5 | |
| 25 | 26 | 29 | 40 | 50,5 | |
| 32 | 32 | 35 | 45,5 | 50,5 | |
| 40 | 38 | 41 | 45,5 | 64 | |
| 50 | 50 | 53 | 46 | 77,5 | |
| 65 | 66 | 70 | 58 | 91 | |
| 80 | 81 | 85 | 60 | 106 | |
| 100 | 100 | 104 | 61,5 | 130 | |

Alle maten in mm - All sizes in mm

Leverbaar in 316L (1.4404) - Available in 316L (1.4404)

DIN 11864 = lange uitvoering - DIN 11853 = korte uitvoering - DIN 11864 = long type - DIN 11853 = short type

Art.-Nr. 11080

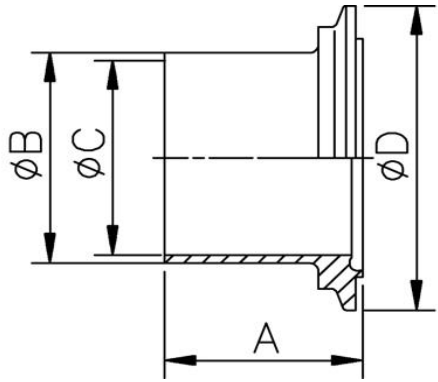
| INCH | C | B | A | D | Nutklemmstutz DIN 11864-3 Form A (INCH) Clamp nut DIN 11864-3 Form A (INCH) |
|--------|-------|-------|------|------|---|
| 1/2" | 9,4 | 12,7 | 39,5 | 34 |  |
| 3/4" | 15,75 | 19,05 | 39,5 | 34 | |
| 1" | 22,1 | 25,4 | 40 | 50,5 | |
| 1-1/2" | 34,8 | 38,1 | 45,5 | 64 | |
| 2" | 47,5 | 50,8 | 46 | 77,5 | |
| 2-1/2" | 60,2 | 63,5 | 59 | 91 | |
| 3" | 72,9 | 76,2 | 60 | 106 | |
| 4" | 97,38 | 101,6 | 61 | 130 | |

Alle maten in mm - All sizes in mm

Leverbaar in 316L (1.4404) - Available in 316L (1.4404)

DIN 11864 = lange uitvoering - DIN 11853 = korte uitvoering - DIN 11864 = long type - DIN 11853 = short type

Art.-Nr. 11080

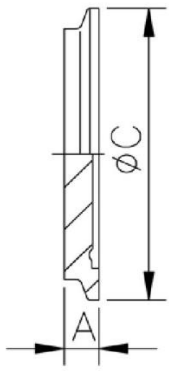
| DN | C | B | A | D | Nutklemmstutz DIN 11864-3 Form A (ISO) Clamp nut DIN 11864-3 Form A (ISO) |
|----|------|------|------|------|--|
| 8 | 10,3 | 13,5 | 39,5 | 34 |  |
| 10 | 14 | 17,2 | 39,5 | 34 | |
| 15 | 18,1 | 21,3 | 40,5 | 34 | |
| 20 | 23,7 | 26,9 | 40 | 50,5 | |
| 25 | 29,7 | 33,7 | 45,5 | 50,5 | |
| 32 | 38,4 | 42,4 | 45,5 | 64 | |
| 40 | 44,3 | 48,3 | 46,5 | 64 | |
| 50 | 56,3 | 60,3 | 58,5 | 91 | |
| 65 | 72,1 | 76,1 | 60 | 106 | |
| 80 | 84,3 | 88,9 | 62,5 | 119 | |

Alle maten in mm - All sizes in mm

Leverbaar in 316L (1.4404) - Available in 316L (1.4404)

DIN 11864 = lange uitvoering - DIN 11853 = korte uitvoering - DIN 11864 = long type - DIN 11853 = short type

Art.-Nr. 11086

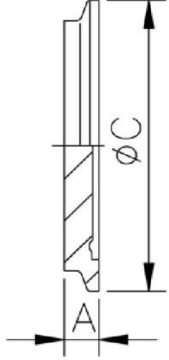
| DIN | C | A | Blind bundklemmstutz DIN 11864-3 Form A (DIN) Blind bund clamp DIN 11864-3 Form A (DIN) |
|-----|------|---|--|
| 10 | 34 | 8 |  |
| 15 | 34 | 8 | |
| 20 | 50,5 | 8 | |
| 25 | 50,5 | 8 | |
| 32 | 50,5 | 8 | |
| 40 | 64 | 8 | |
| 50 | 77,5 | 8 | |
| 65 | 91 | 8 | |
| 80 | 106 | 8 | |
| 100 | 130 | 8 | |
| | | | |

Alle maten in mm - All sizes in mm

Leverbaar in 316L (1.4404) - Available in 316L (1.4404)

DIN 11864 = lange uitvoering - DIN 11853 = korte uitvoering - DIN 11864 = long type - DIN 11853 = short type

Art.-Nr. 11086

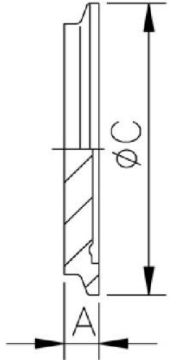
| INCH | C | A | Blind bundklemmstutz DIN 11864-3 Form A (INCH) Blind bund clamp DIN 11864-3 Form A (INCH) | |
|--------|------|---|--|--|
| 1/2" | 34 | 8 |  | |
| 3/4" | 34 | 8 | | |
| 1" | 50,5 | 8 | | |
| 1-1/2" | 64 | 8 | | |
| 2" | 77,5 | 8 | | |
| 2-1/2" | 91 | 8 | | |
| 3" | 106 | 8 | | |
| 4" | 130 | 8 | | |
| | | | | |
| | | | | |
| | | | | |

Alle maten in mm - All sizes in mm

Leverbaar in 316L (1.4404) - Available in 316L (1.4404)

DIN 11864 = lange uitvoering - DIN 11853 = korte uitvoering - DIN 11864 = long type - DIN 11853 = short type

Art.-Nr. 11086

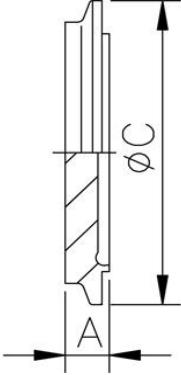
| ISO | C | A | Blind bundklemmstutz DIN 11864-3 Form A (ISO) Blind bund clamp DIN 11864-3 Form A (ISO) |
|-----|------|---|--|
| 8 | 34 | 8 |  |
| 10 | 34 | 8 | |
| 15 | 34 | 8 | |
| 20 | 50,5 | 8 | |
| 25 | 50,5 | 8 | |
| 32 | 64 | 8 | |
| 40 | 64 | 8 | |
| 50 | 91 | 8 | |
| 65 | 106 | 8 | |
| 80 | 119 | 8 | |
| | | | |

Alle maten in mm - All sizes in mm

Leverbaar in 316L (1.4404) - Available in 316L (1.4404)

DIN 11864 = lange uitvoering - DIN 11853 = korte uitvoering - DIN 11864 = long type - DIN 11853 = short type

Art.-Nr. 11087

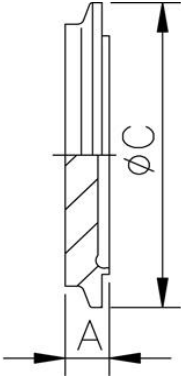
| DIN | C | A | Blind nutklemmstutz DIN 11864-3 Form A (DIN) Blind nut clamp DIN 11864-3 Form A (DIN) |
|-----|------|----|--|
| 10 | 34 | 10 |  |
| 15 | 34 | 10 | |
| 20 | 50,5 | 10 | |
| 25 | 50,5 | 10 | |
| 32 | 50,5 | 10 | |
| 40 | 64 | 10 | |
| 50 | 77,5 | 10 | |
| 65 | 91 | 10 | |
| 80 | 106 | 10 | |
| 100 | 130 | 10 | |
| | | | |

Alle maten in mm - All sizes in mm

Leverbaar in 316L (1.4404) - Available in 316L (1.4404)

DIN 11864 = lange uitvoering - DIN 11853 = korte uitvoering - DIN 11864 = long type - DIN 11853 = short type

Art.-Nr. 11087

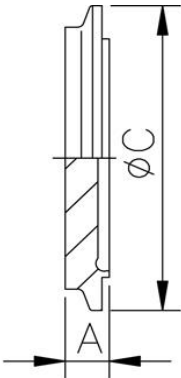
| INCH | C | A | Blind nutklemmstutz DIN 11864-3 Form A (INCH) Blind nut clamp DIN 11864-3 Form A (INCH) | |
|--------|------|----|--|--|
| 1/2" | 34 | 10 |  | |
| 3/4" | 34 | 10 | | |
| 1" | 50,5 | 10 | | |
| 1-1/2" | 64 | 10 | | |
| 2" | 77,5 | 10 | | |
| 2-1/2" | 91 | 10 | | |
| 3" | 106 | 10 | | |
| 4" | 130 | 10 | | |
| | | | | |
| | | | | |
| | | | | |

Alle maten in mm - All sizes in mm

Leverbaar in 316L (1.4404) - Available in 316L (1.4404)

DIN 11864 = lange uitvoering - DIN 11853 = korte uitvoering - DIN 11864 = long type - DIN 11853 = short type

Art.-Nr. 11087

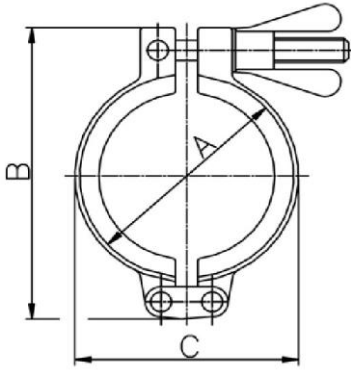
| ISO | C | A | Blind nutklemmstutz DIN 11864-3 Form A (ISO) Blind nut clamp DIN 11864-3 Form A (ISO) |
|-----|------|----|--|
| 8 | 34 | 10 |  |
| 10 | 34 | 10 | |
| 15 | 34 | 10 | |
| 20 | 50,5 | 10 | |
| 25 | 50,5 | 10 | |
| 32 | 64 | 10 | |
| 40 | 64 | 10 | |
| 50 | 91 | 10 | |
| 65 | 106 | 10 | |
| 80 | 119 | 10 | |
| | | | |

Alle maten in mm - All sizes in mm

Leverbaar in 316L (1.4404) - Available in 316L (1.4404)

DIN 11864 = lange uitvoering - DIN 11853 = korte uitvoering - DIN 11864 = long type - DIN 11853 = short type

Art.-Nr. 12029

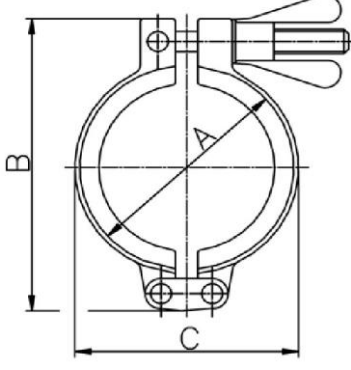
| DIN | A | C | B | Klemband DIN 11864-3 Form A (DIN) Clamp DIN 11864-3 Form A (DIN) |
|-----|------|-----|-----|--|
| 10 | 34 | 45 | 63 |  |
| 15 | 34 | 45 | 63 | |
| 20 | 50,5 | 64 | 88 | |
| 25 | 50,5 | 64 | 88 | |
| 32 | 50,5 | 64 | 88 | |
| 40 | 64 | 77 | 105 | |
| 50 | 77,5 | 91 | 123 | |
| 65 | 91 | 104 | 137 | |
| 80 | 106 | 119 | 155 | |
| 100 | 130 | 143 | 168 | |

Alle maten in mm - All sizes in mm

Leverbaar in 316L (1.4404) - Available in 316L (1.4404)

DIN 11864 = lange uitvoering - DIN 11853 = korte uitvoering - DIN 11864 = long type - DIN 11853 = short type

Art.-Nr. 12029

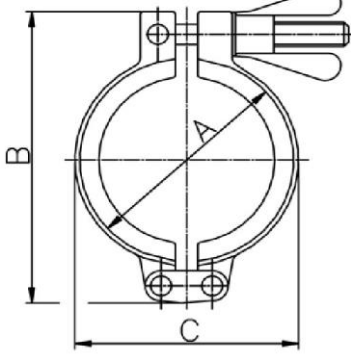
| INCH | A | C | B | Klemband DIN 11864-3 Form A (INCH) Clamp DIN 11864-3 Form A (INCH) |
|--------|------|-----|-----|---|
| 1/2" | 34 | 45 | 63 |  |
| 3/4" | 34 | 45 | 63 | |
| 1" | 50,5 | 64 | 88 | |
| 1-1/2" | 64 | 77 | 105 | |
| 2" | 77,5 | 91 | 123 | |
| 2-1/2" | 91 | 104 | 137 | |
| 3" | 106 | 119 | 155 | |
| 4" | 130 | 143 | 178 | |

Alle maten in mm - All sizes in mm

Leverbaar in 316L (1.4404) - Available in 316L (1.4404)

DIN 11864 = lange uitvoering - DIN 11853 = korte uitvoering - DIN 11864 = long type - DIN 11853 = short type

Art.-Nr. 12029

| ISO | A | C | B | Klemband DIN 11864-3 Form A (ISO) Clamp DIN 11864-3 Form A (ISO) |
|-----|------|-----|-----|--|
| 8 | 34 | 45 | 63 |  |
| 10 | 34 | 45 | 63 | |
| 15 | 34 | 45 | 63 | |
| 20 | 50,5 | 64 | 88 | |
| 25 | 50,5 | 64 | 88 | |
| 32 | 64 | 77 | 105 | |
| 40 | 64 | 77 | 105 | |
| 50 | 91 | 104 | 137 | |
| 65 | 106 | 119 | 155 | |
| 80 | 119 | 132 | 168 | |

Alle maten in mm - All sizes in mm

Leverbaar in 316L (1.4404) - Available in 316L (1.4404)

DIN 11864 = lange uitvoering - DIN 11853 = korte uitvoering - DIN 11864 = long type - DIN 11853 = short type