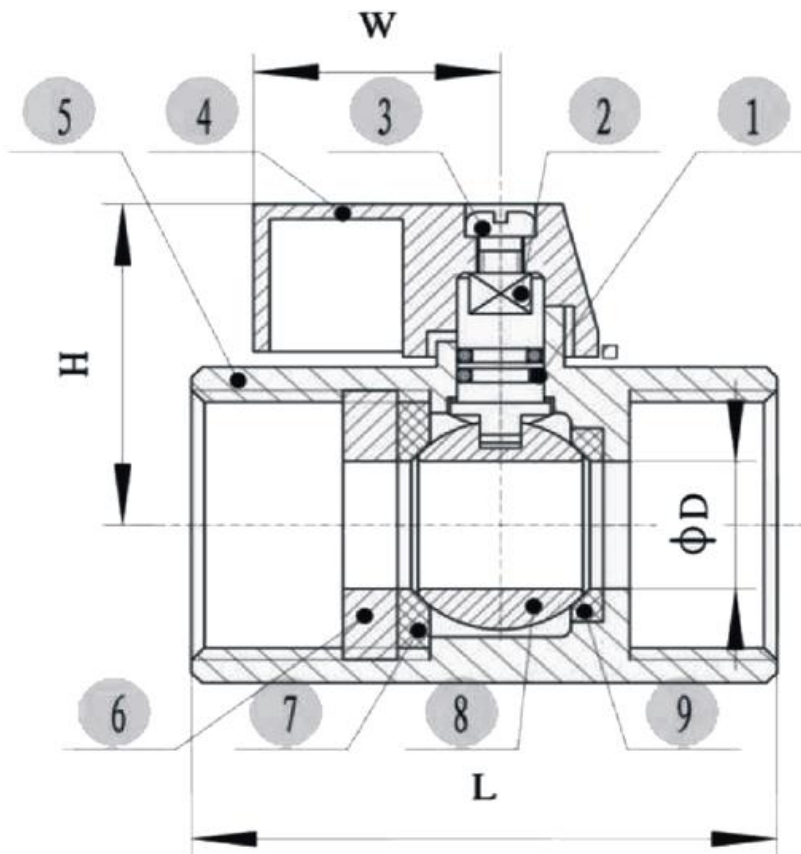


Mini kogelkraan BI-BI					
Mini ball valve F-F					
SIZE	1/4"	3/8"	1/2"	3/4"	1"
D	7,0	7,0	9,2	12,5	15,0
H	26,5	26,5	28,3	31,5	34,0
W	22,8	22,8	22,8	22,8	22,8
L	42,0	42,0	46,0	54,0	65,0



FEATURES

- 1000PSI / PN63
- Reduce port
- Investment casting
- Blow-out proof stem
- Sanitary design
- PED97/23/EC (CE0035) Approved
- Casting approved AD2000-W0
- Thread ASME B1.20.1 BS21.DIN2999/259, ISO228-1, JISB 0203, ISO7/1
- Inspection testing: API598, EN12266

ITEM	DESIGNATION	Material
1	O-RING	NBR / VITON
2	STEM	304
3	BOLT	304
4	LEVER	ALUMINIUM ALLOY
5	BODY	CF8/CF8M
6	CAP	CF8/CF8M
7	BALL SEAT (A)	RPTFE
8	BALL	CF8/CF8M
9	BALL SEAT (B)	RPTFE

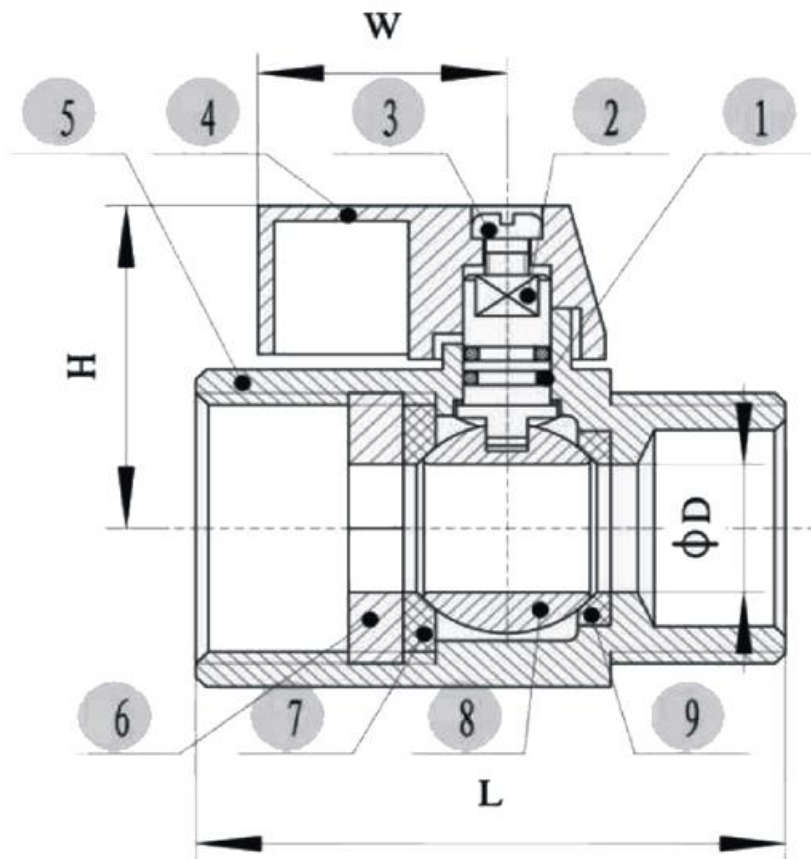


RODESTA B.V.

Tel.:+31 (0)35-60 30 444 | Fax.:+31 (0)35-60 30 999 | www.rodesta.nl | info@rodesta.nl

Kvk nr.: 31046060 | BTW nr.: NL804985546B01

Mini kogelkraan BU-BI					
Mini ball valve M-F					
SIZE	1/4"	3/8"	1/2"	3/4"	1"
D	7,0	7,0	9,2	12,5	15,0
H	26,5	26,5	28,3	31,5	34,0
W	22,8	22,8	22,8	22,8	22,8
L	42,0	42,0	46,0	54,0	65,0



FEATURES

- 1000PSI / PN63
- Reduce port
- Investment casting
- Blow-out proof stem
- Sanitary design
- PED97/23/EC (CE0035) Approved
- Casting approved AD2000-W0
- Thread ASME B1.20.1 BS21.DIN2999/259, ISO228-1, JISB 0203, ISO7/1
- Inspection testing: API598, EN12266

ITEM	DESIGNATION	Material
1	O-RING	NBR / VITON
2	STEM	304
3	BOLT	304
4	LEVER	ALUMINIUM ALLOY
5	BODY	CF8/CF8M
6	CAP	CF8/CF8M
7	BALL SEAT (A)	RPTFE
8	BALL	CF8/CF8M
9	BALL SEAT (B)	RPTFE

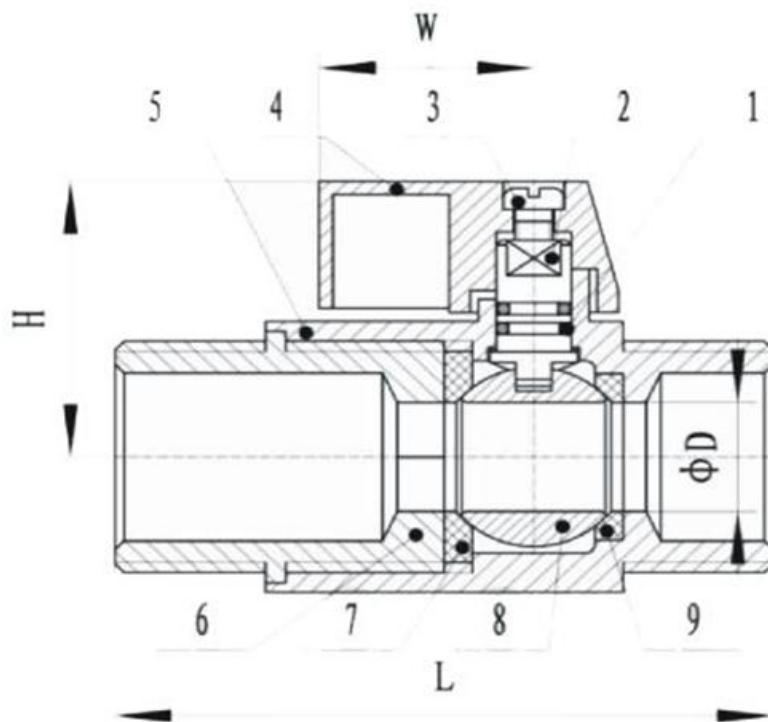


RODESTA B.V.

Tel.:+31 (0)35-60 30 444 | Fax.:+31 (0)35-60 30 999 | www.rodesta.nl | info@rodesta.nl

Kvk nr.: 31046060 | BTW nr.: NL804985546B01

Mini kogelkraan BU-BU					
Mini ball valve M-M					
SIZE	1/4"	3/8"	1/2"	3/4"	1"
D	7,0	7,0	9,2	12,5	15,0
H	26,5	26,5	28,3	31,5	34,0
W	22,8	22,8	22,8	22,8	22,8
L	50,0	50,0	58,0	70,0	83,0



FEATURES

- 1000PSI / PN63
- Reduce port
- Investment casting
- Blow-out proof stem
- Sanitary design
- PED97/23/EC (CE0035) Approved
- Casting approved AD2000-W0
- Thread ASME B1.20.1 BS21.DIN2999/259, ISO228-1, JISB 0203, ISO7/1
- Inspection testing: API598, EN12266

ITEM	DESIGNATION	Material
1	O-RING	NBR / VITON
2	STEM	304
3	BOLT	304
4	LEVER	ALUMINIUM ALLOY
5	BODY	CF8/CF8M
6	CAP	CF8/CF8M
7	BALL SEAT (A)	RPTFE
8	BALL	CF8/CF8M
9	BALL SEAT (B)	RPTFE



RODESTA B.V.

Tel.:+31 (0)35-60 30 444 | Fax.:+31 (0)35-60 30 999 | www.rodesta.nl | info@rodesta.nl

Kvk nr.: 31046060 | BTW nr.: NL804985546B01